



Metrologic®
We really work for you.™

MS7120 Orbit®

Orbit® provides aggressive omnidirectional scanning in an award-winning design for retailers seeking an affordable, aesthetically pleasing scanning solution.

The Metrologic Orbit, the all-time, best-selling hands-free omnidirectional scanner presents an innovative, elegant and affordable solution to convenience retail applications where counter space is at a premium.

Compact, lightweight and rugged, Orbit maximizes customer satisfaction and employee efficiency with a patented 20-line scan pattern, an easy-to-find sweet spot and a scan speed of 1,120 scans per second.

The scanner's expanded ability to update its firmware via Metrologic's patented MetroSet®2 configuration software (provided free) safeguards

long-term infrastructure commitments in the event of a change in the POS system or software.

Recipient of multiple design honors, Orbit's award-winning shape enables hand-held scanning of large, bulky items. For added flexibility, the scanning head can be tilted within a 30° range to accommodate objects of various sizes and shapes.

Standard features include user-replaceable cables, Metrologic's patented MetroSelect and MetroSet®2 for easy configuration, data editing and OPOS/JPOS compatibility for easy installation.

www.metrologic.com/MS7120

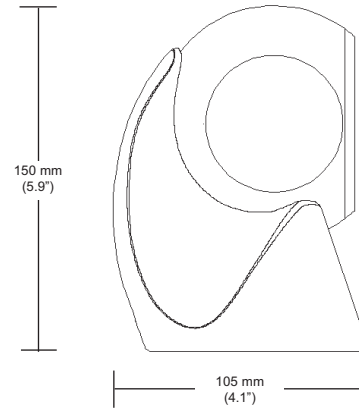
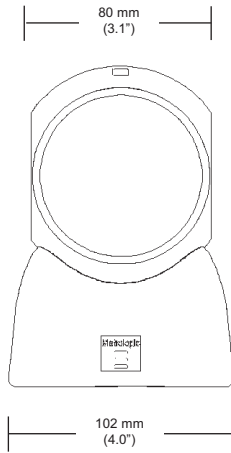


FEATURES

- 20 scan line omni-directional pattern
- Sweet Spot Scanning
- Adjustable scan head
- Flash ROM
- Automatic scanning operation

BENEFITS

- Provides aggressive scanning as an additional benefit to hand presentation applications
- Engineered "sweet spot" to optimize scan performance and first pass read rate
- Ability to tilt scanner 30° for targeted scanning or larger products
- Protects POS investment with free firmware updates via MetroSet®2 software and standard PC
- Simply present a bar code and the unit scans in a single pass



OPERATIONAL

Light Source	Visible Laser Diode 650 nm ± 10 nm
Laser Power	0.663 mW (peak)
Decode Capability	Autodiscriminates all standard 1-D and GSI DataBar™ bar codes; for other symbologies call Metrologic
System Interfaces	Keyboard Wedge, RS232, Light Pen Emulation, IBM 468X/469X, USB
Number Characters Read	Up to 80 data characters
Beeper Operation	7 tones or no beep
Indicators (LED)	Blue* = laser on, ready to scan White* = good read <small>*Indicator colors can be reversed</small>

MECHANICAL

Height	150 mm (5.9")
Depth	105 mm (4.1")
Width - Orb	80 mm (3.1")
Width - Base	102 mm (4")
Weight	400 g (14.1 oz)
Termination	10 pin modular RJ45
Cable	Standard 2.1 m (7') straight; optional 2.7 m (9') coiled; for other cables call Metrologic
Tilt - Orb	30° vertical

ELECTRICAL

Input Voltage	5 VDC ± 0.25 V
Power	1 W typical @ 5 VDC
Operating Current	200 mA
DC Transformers	Class 2; 5.2 V @ 650 mA
Laser Class 1	EN: 60825-1:1994 + A11:1996 + A2:2001
EMC	Class B: FCC Part 15, ICES-003, EN 55022 Class B

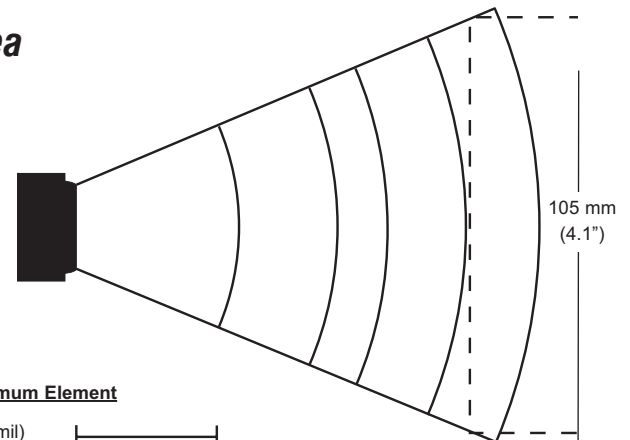
ENVIRONMENTAL

Operating Temperature	0°C to 40°C (32°F to 104°F)
Storage Temperature	-40°C to 60°C (-40°F to 140°F)
Humidity	5% to 95% relative humidity, non-condensing
Light Levels	Up to 4842 Lux (450 footcandles)
Shock	Designed to withstand 1.2 m (4') drops

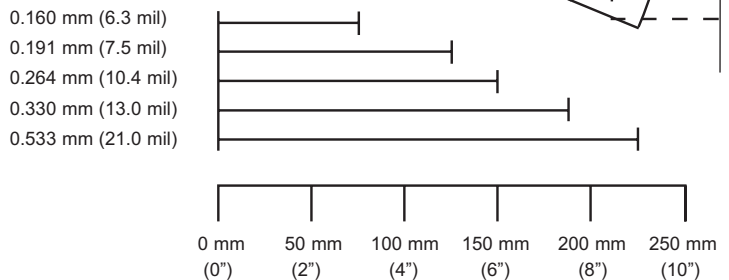
SCAN PERFORMANCE

Depth of Scan Field (programmable)	0 mm - 215 mm (0" - 8.5") for 0.33 mm (13 mil) bar codes
Width of Scan Field	60 mm (2.4") @ face; 105 mm (4.1") @ 216 mm (8.5")
Scan Speed	1120 scan lines per second
Scan Pattern	5 fields of 4 parallel lines (omnidirectional)
Number of Scan Lines	20
Minimum Bar Width	0.13 mm (5.2 mil)
Print Contrast	35% minimum reflectance difference
Roll, Pitch, Yaw	360°, 60°, 60°

Scan Area



Bar Code Minimum Element



Product Colors Available



MS7120 is available in a variety of other colors with minimum quantity purchase



Metrologic Instruments, Inc. | **Worldwide Headquarters**
90 Coles Road | Blackwood, NJ 08012-4683 | info@metrologic.com
Telephone 856-228-8100 | Fax 856-228-6673 | www.metrologic.com

Asian Headquarters Tel. 65.6842.7155 info@sg.metrologic.com
European Headquarters Tel. 49.89.89019.0 info@eu.metrologic.com
The Americas Headquarters Tel. 1.800.ID.METRO info@us.metrologic.com

Revision: G + above

Specifications subject to change without notice. Printed U.S.A. Copyright January 2008 Metrologic, All rights reserved.



DS7120