



MS9540 VoyagerCG® is an advanced single line laser bar code scanner with automatic activation and sophisticated data transmission via Metrologic's proprietary CodeGate technology.



MS9540 VoyagerCG®

Features

- **Automatic trigger with CodeGate®**
- **Decodes RSS-14, RSS Limited and RSS Expanded bar codes**
- **User-replaceable, single cable interface to host**
- **Adjustable stand**
- **Firmware updates via Flash ROM**
- **Custom edit the bar code data**
- **Easy programming using Windows® software or bar codes**
- **Supports commonly used interfaces, including Keyboard Wedge and USB**
- **OPOS and JPOS system compatible**

Metrologic's MS9540 VoyagerCG offers high performance scanning, a futuristic design and a more intuitive scanning system than other conventional, triggered scanners.

The MS9540 VoyagerCG is designed to replace triggered scanners. In doing so, Metrologic's engineering department incorporated a feature called CodeGate that makes the MS9540 more intuitive to use than a triggered scanner. Using Metrologic's patented auto-trigger, the laser is automatically activated when a bar code is presented, allowing the user to easily select the bar code. Then with a press of the CodeGate button, the data is transmitted to the host system. This unique concept makes VoyagerCG perfect for

menu-scanning. When the MS9540 is placed in its stand, CodeGate can be automatically deactivated allowing VoyagerCG to be used as a fully automatic presentation scanner.

VoyagerCG includes the ability to decode the emerging Reduced Space Symbol (RSS). Industries including supermarkets, pharmaceutical, and healthcare are beginning to utilize this new symbology. For those VoyagerCG's already deployed, an online Flash ROM upgrade is available at www.metrologic.com.

Metrologic is now backing the MS9540 VoyagerCG with a standard 5-year warranty.



MS9540 VoyagerCG®

OPERATIONAL

Light Source	Visible Laser Diode 650 nm ± 10 nm
Laser Power	0.96 mW (peak)
Depth of Scan Field	0 mm - 203 mm (0" - 8") for 0.33 mm (13 mil) bar codes
Width of Scan Field	64 mm (2.5") @ face; 249 mm (9.8") @ 203 mm (8.0")
Scan Speed	72 ± 2 scan lines per second
Scan Pattern	Single scan line
Minimum Bar Width	0.127 mm (5.0 mil)
Decode Capability	Autodiscriminates all standard bar codes, including RSS; for other symbologies call Metrologic
System Interfaces	PC Keyboard Wedge, RS232, OCIA, Light Pen Emulation, Non-decode Emulation, IBM 468X/469X, Stand Alone Keyboard, USB (low speed and full speed)
Print Contrast	35% minimum reflectance difference
Number Characters Read	Up to 80 data characters
Roll, Pitch, Yaw	42°, 68°, 52°
Beeper Operation	7 tones or no beep
Indicators (LED)	Green = laser on, ready to scan; yellow = auto trigger mode active; red = good read

MECHANICAL

Height	198 mm (7.8")
Depth	40 mm (1.6")
Width	Handle - 45 mm (1.8"); Head - 78 mm (3.1")
Weight	149 g (5.25 oz)
Termination	10 pin modular RJ45
Cable	Standard 2.7 m (9') coiled; optional 2.1 m (7') straight

ELECTRICAL

Input Voltage	5 VDC ± 0.25 V
Power - Operating	500 mW
Power - Standby	110 mW
Current - Operating	100 mA typical @ 5 VDC
Current - Standby	22 mA typical @ 5 VDC
DC Transformers	Class 2; 5.2 VDC @ 650 mA
Laser Class	CDRH: Class II; IEC 60825-1:1993+A1:1997+A2:2001
EMC	FCC, ICES-003 & EN55022 Class B

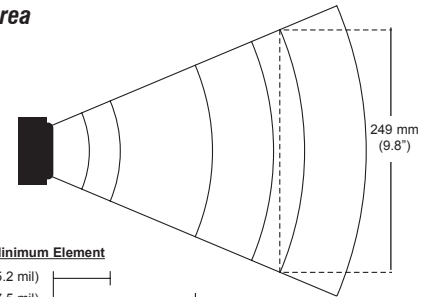
ENVIRONMENTAL

Operating Temperature	0°C to 40°C (32°F to 104°F)
Storage Temperature	-40°C to 60°C (-40°F to 140°F)
Humidity	5% to 95% relative humidity, non-condensing
Light Levels	Up to 4842 Lux (450 footcandles)
Shock	Designed to withstand 1.5 m (5') drops
Contaminants	Sealed to resist airborne particulate contaminants
Ventilation	None required

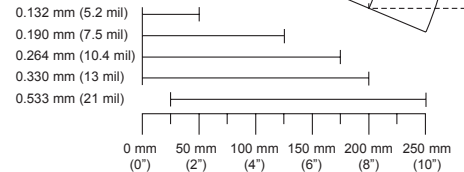
VoyagerCG is available in the following colors



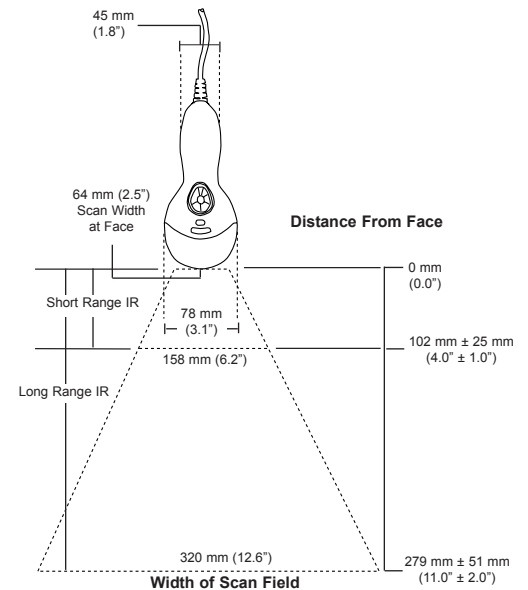
Scan Area



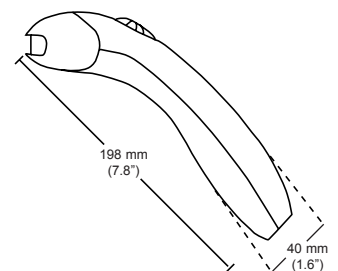
Bar Code Minimum Element



IR Activation and Scan Width



Dimensions



Distributed By

Gunner Barcode & Printing Co., Ltd.

Tel : +66 2 457 1001 Fax: +66 2 457 1002

E-mail : sales@barcodethai.com

www.barcodethai.com

Specifications subject to change without notice.
Printed U.S.A., Copyright March 2003
Metrologic, All rights reserved.



DS9540

The CodeGate® Advantage

Menu Scanning



- Auto-Trigger activates the laser
- High-Visibility laser line helps you choose



- Pick the bar code you want
- Press the CodeGate button
- Eliminates incorrect scans

Two Modes of Operation



- Auto-Trigger while in the stand
- Bar code is automatically decoded and transmitted



- CodeGate activates when removed from the stand
- Bar code data is transmitted when the CodeGate button is pressed

CodeGate → Gives You Control

1



2



3



- Auto trigger activates the laser
- Place the laser line on the bar code
- Press the CodeGate button to transmit the data



Voyager^{CG} with
CodeGate 
A better way to scan...

